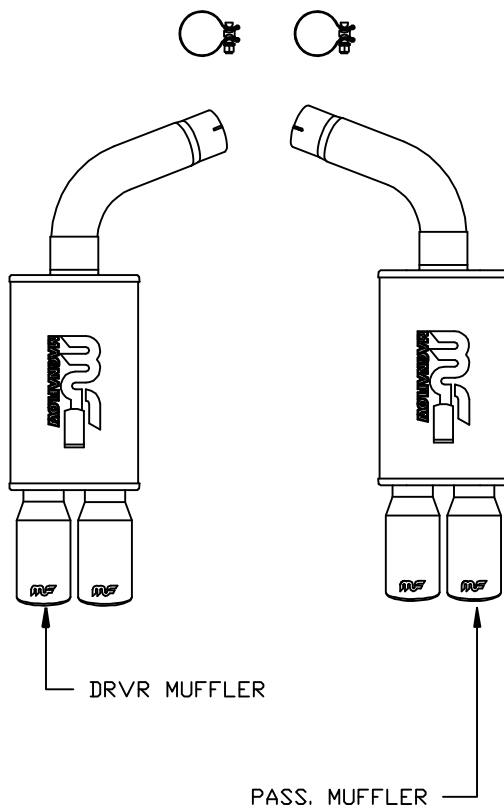
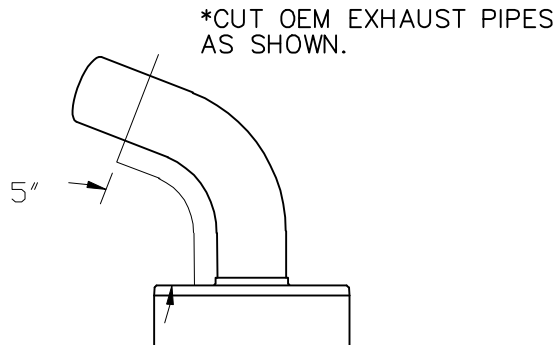


1992-1996 CHEVY CORVETTE - V8 5.7L, LT-1



Warning: When working on under or around any vehicle exercise caution. Please allow the vehicle's exhaust system to cool before removal, as exhaust system temperatures may cause severe burns. If working without a lift, always consult vehicle manual for correct lifting specifications. Always wear safety glasses and ensure safe work area. Serious injury or death could occur if safety measures are not followed.

Step 1: (Carefully read all instructions before installation) To remove the OEM muffler assemblies, you will need to cut the exhaust pipe approximately 5 inches from the muffler cap. Hold the new Magnaflow muffler assemblies underneath the OEM units to get an idea of where to cut; don't forget to leave room for the slip-fit section where the new mufflers will be clamped to the OEM exhaust system. Once the pipes are cut, remove the OEM mufflers from the OEM rubber insulators.

Step 2: For packaging, the bolt-on mounting brackets are installed backwards on the mufflers. Unbolt them from the mufflers and insert them into the OEM rubber insulators under the rear bumper. Fit the inlet pipes of the mufflers over the ends of the OEM exhaust pipes and fasten them with the supplied 2.75" clamps. Leave all fasteners loose for final adjustment of the system. Hold the mufflers in position and bolt them to mounting brackets you mounted into the OEM rubber insulators.

Step 3: With all components mounted loosely, adjust the system for overall aesthetics and clearance of frame & bodywork. (MAGNAFLOW recommends at least 1/2" of clearance between the exhaust system and any body panels to prevent heat-related body damage or fire.)

Step 4: Once a final position has been chosen for the new system, evenly tighten all fasteners from front to rear. The supplied band clamps must be VERY tight to properly align the pipes and prevent leaks (approximately 40ft. lbs.). Inspect all fasteners after 25-50 miles of operation and retighten if necessary.

*MAGNAFLOW Performance Exhaust recommends professional installation on all their products

Technical support: 1-800-959-9226 ext. 4500

MAGNAFLOW 1901 Corporate Centre Dr., Oceanside CA 92066

15623 5/18/22 REV 003